

# DMD

Rotating discs magnetic separators



# DMD

DMD is a rotating magnetic discs separator for coolants used during industrial machining contaminated by magnetic particles.

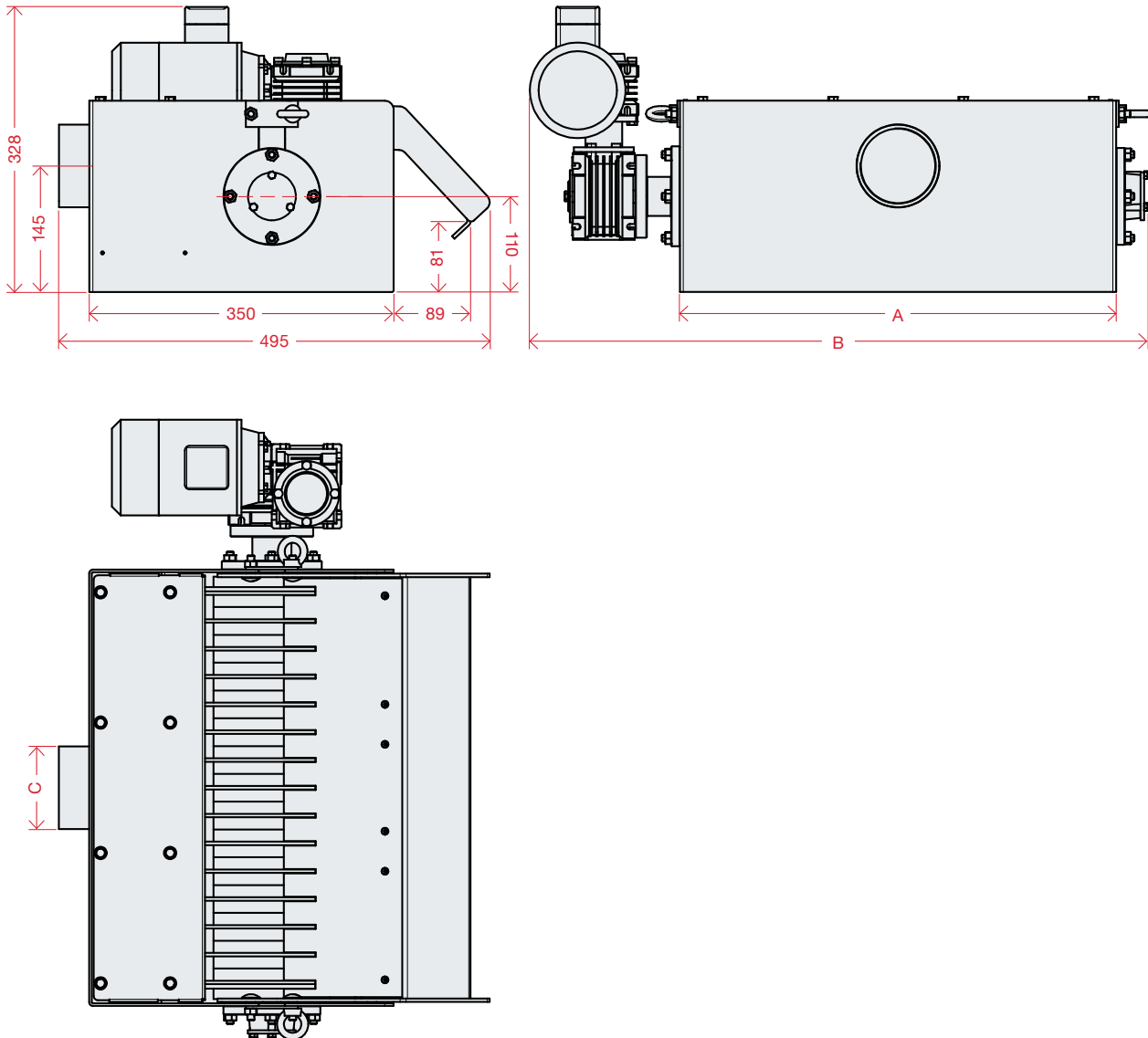
DMD series is available in 7 standard models for flowrates ranging from 50 to 400 l/min of emulsion and from 25 to 200 l/min of neat oil.



LOSMA guarantees that every single unit is individually tested through strict control procedures. Each unit is issued a test certificate for quality and function.



# DMD Technical data



DMD	Dimensions			DMD	Max filtering cap. emulsion l/min	Max filtering cap. neat oil l/min	Power (kW)		Weight Kg	230 V	265 V	400 V	460 V
	A	B	C				50 (Hz)	60 (Hz)		50 Hz	60 Hz	50 Hz	60 Hz
50	160	370	3"	50	50	25	0.12	0.12	32/37	0.83	0.85	0.48	0.49
100	236	445.5	3"	100	100	50	0.12	0.12	40/45	0.83	0.85	0.48	0.49
150	350	560	3"	150	150	75	0.12	0.12	51/56	0.83	0.85	0.48	0.49
200	426	635	3"	200	200	100	0.12	0.12	60/65	0.83	0.85	0.48	0.49
250	502	710	3"	250	250	125	0.12	0.12	70/78	0.83	0.85	0.48	0.49
300	654	885	3"	300	300	150	0.12	0.12	90/NN	0.83	0.85	0.48	0.49
400	844	1080	3"	400	400	200	0.12	0.12	120/NN	0.83	0.85	0.48	0.49
500	1034	1265	3"	500	500	250	0.12	0.12	140/NN	0.83	0.85	0.48	0.49

# DMD-P

For heavy flowrates DMD P was designed, are rotating magnetic discs available in 5 models, able to filter from 600 to 1800 l/min of emulsion and from 300 to 900 l/min of neat oil.

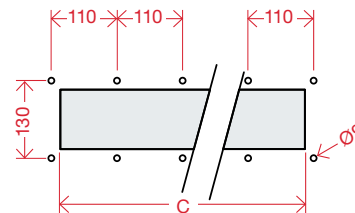
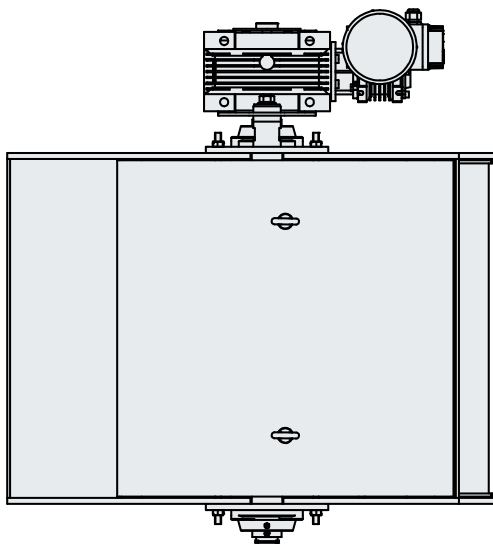
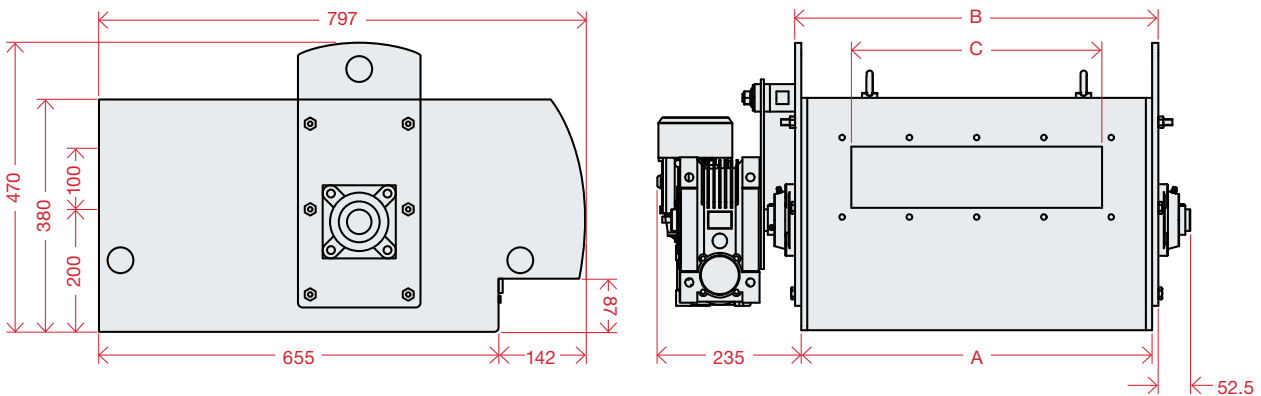
The robust structure of DMD-P is suitable for large machine tools, centralized applications, machining centers, grinding, deep drilling and hard machining.



LOSMA guarantees that every single unit is individually tested through strict control procedures. Each unit is issued a test certificate for quality and function.



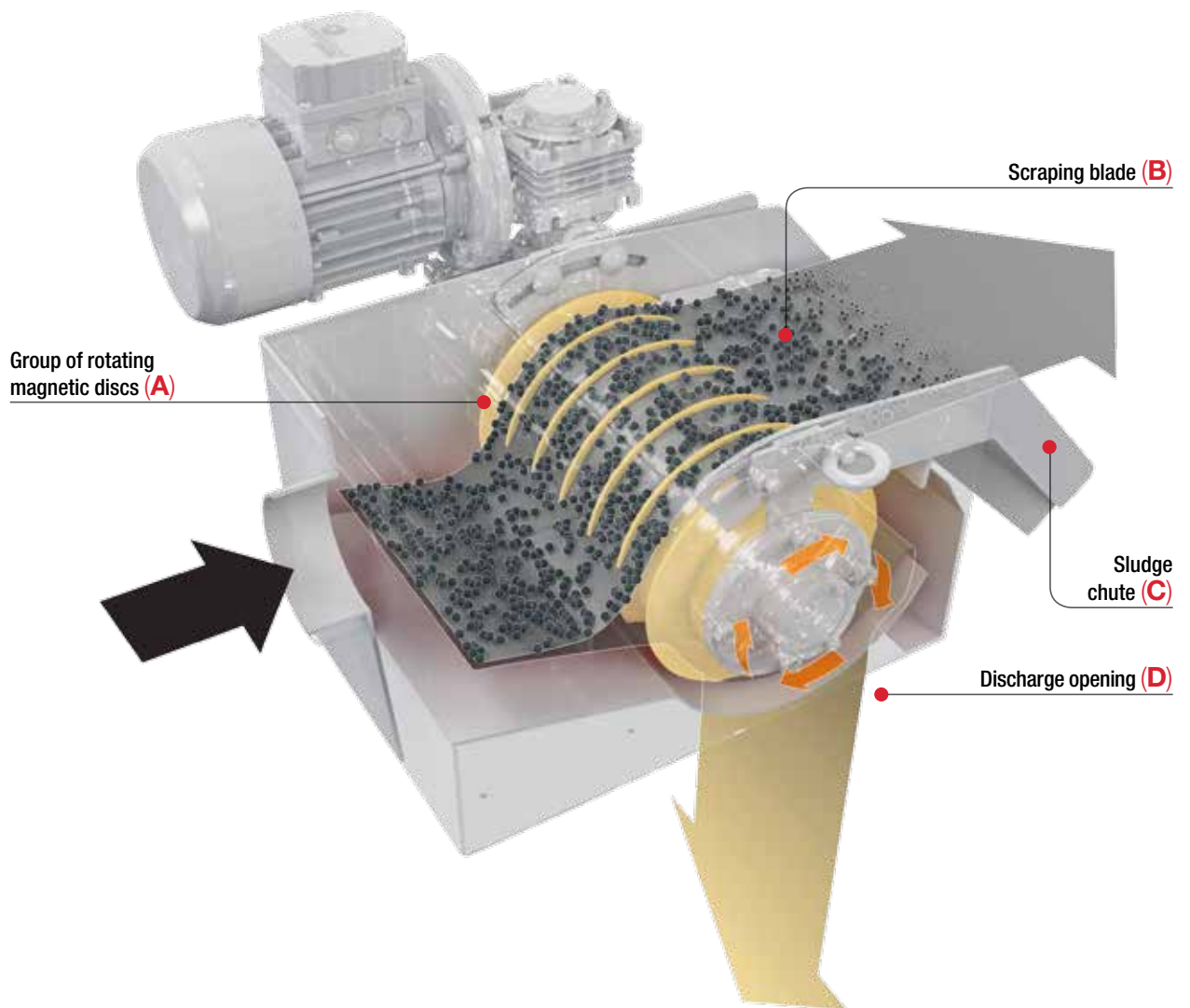
# DMD-P Technical data



DMD-P	Dimensions		
	A	B	C
<b>600</b>	574	594	410
<b>900</b>	849	869	520
<b>1200</b>	1124	1144	740
<b>1500</b>	1398	1418	960
<b>1800</b>	1674	1694	1180

DMD-P	Max filtering cap. emulsion l/min	Max filtering cap. neat oil l/min	Power (kW)		Weight Kg	230 V	265 V	400 V	460 V
			50 (Hz)	60 (Hz)		50 Hz	60 Hz	50 Hz	60 Hz
			A	A		A	A	A	A
<b>600</b>	600	300	0.18	0.18	270	1.16	1.18	0.85	0.68
<b>900</b>	900	450	0.18	0.18	400	1.16	1.18	0.85	0.68
<b>1200</b>	1200	600	0.18	0.18	450	1.16	1.18	0.85	0.68
<b>1500</b>	1500	750	0.18	0.18	-	1.16	1.18	0.85	0.68
<b>1800</b>	1800	900	0.18	0.18	580	1.16	1.18	0.85	0.68

# Working principles



- 1** Contaminated coolant passes through the group of rotating magnetic discs (A), where magnetic particles are captured.
- 2** A scraping blade (B) removes the metallic particles from the rotating group, conveying them to the sludge chute (C) which collects

the waste into a tank.

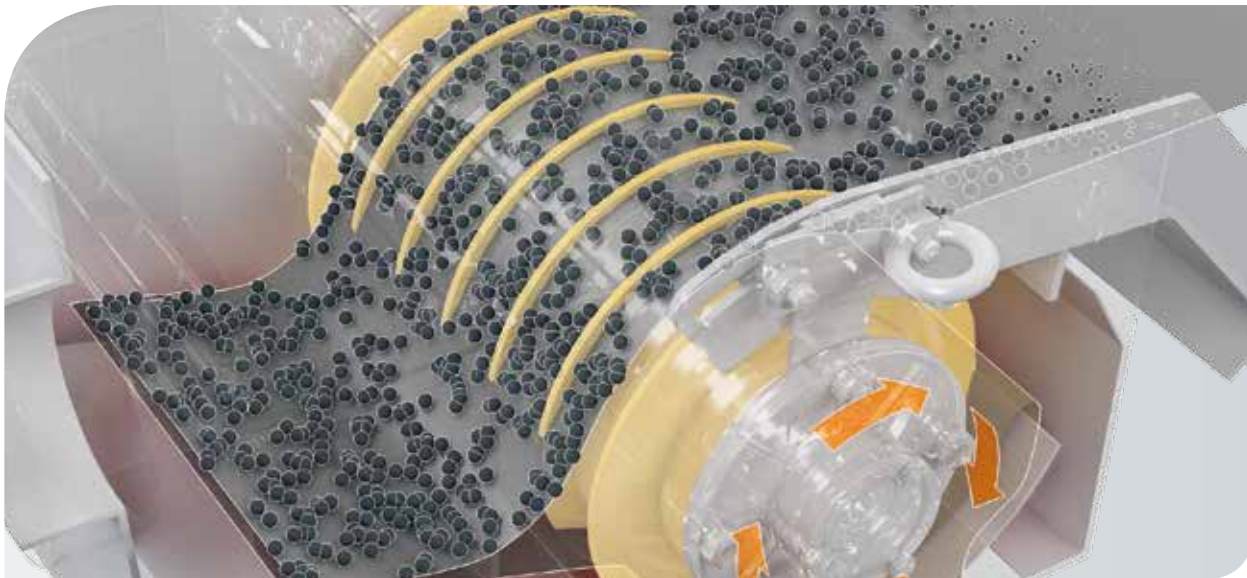
- 3** Clean oil is collected into a tank (D) and pumped back to the machine tool thanks to a dedicated pump, or is collected for a further process of fine filtration.

# Plus



## MODULARITY

DMD and DMD P can be paired with any other filter of Losma's product range, in order to guarantee the most accurate filtration.



## PERMANENT FILTERING MATERIAL

DMD and DMD-P do not need any consumable filter.



Health



Savings



Efficiency



Environment



Safety



**Losma SpA**

**HQ:**

Via E. Fermi, 16 - 24035 Curno - Bergamo  
Tel. +39 035 461444 - Fax +39 035 461671  
info@losma.it - www.losma.it

**Turin office:**

Via G. Brunero, 2 - 10077 San Maurizio Canavese - Torino  
Tel. +39 011 9275631  
info@losma.it - www.losma.it



ISO 9001  
TUV SUD  
Certified  
Company



ISO 14001  
TUV SUD  
Certified  
Company



Autorizzato  
all'utilizzo

**Losma GmbH**

Albert-Einstein-Str. 2 - 70806 Kornwestheim  
Tel. +49 7154 8160480 - Fax +49 7154 8160485  
info@losma.de - www.losma.de

**Losma Inc.**

30A Wilson Drive - Sparta - NJ 07871  
Tel. +973 248 0070 - Fax +973 940 0950  
info@losmausa.com - www.losma.com

**Losma UK Ltd.**

6 Strensham Business Park  
WR8 9JZ Strensham Worcestershire  
Tel. +44 (0)1684 276527 - Fax +44 (0)1684 276470  
info@losma.co.uk - www.losma.co.uk

**Losma Pvt Ltd.**

Plot No 7A, Gat. No. 63, Shindewadi  
Tal: Bhor, District: Pune - 412205 - Maharashtra  
Tel. +91 9226107775  
info@losma.in - www.losma.com